

Assembly Instructions: 1030-FM (Cerchi)

IMPORTANT:

- ALL INSTALLATION WORK SHOULD BE DONE BY ACCREDITED PROFESSIONAL.
- SHUT OFF POWER SUPPLY AT FUSE OR CIRCUIT BREAKER!
- USE ONLY THE SPECIFIED BULBS. DO NOT EXCEED THE MAXIMUM WATTAGE!

For Customer Service, contact the place of purchase.

PREPARING FOR INSTALLATION

Carefully remove all of the contents from the carton. See the important notes above. Shut off the power at the circuit breaker and completely remove the old fixture from the ceiling, including the old mounting strap.

From the parts bag remove the mounting strap assembly. Mounting strap (B) contains threaded holes. Two of mounting screws (A) should be attached to mounting strap (B). You may need to tighten nuts (C) that hold these screws in place. Place mounting strap (B) over the junction box so that mounting screws (A) are vertical, and in alignment with the hole locations on the fixture's canopy (G). Secure mounting strap (B) to the junction box with mounting screws (D) and a screwdriver. Tighten the screws securely.

Thread post (M) into nipple (N) of the canopy. Thread finial connector (R) through post (O) of the socket cluster.

CONNECTING THE WIRES

Wrap or cut away any excess wires adding at least 2 to 3 inches of wire to the desired length. Attach the fixture's wires to the power supply wires from the junction box. Connect black to black (or smooth); white to white (or ribbed); ground to ground (green or copper). Twist the ends of the wire pairs together, and then twist on a wire connector. Make sure all twists are in the same direction. If there is no ground wire (green or copper) from the junction box, locate ground screw (E) on mounting strap (A) and wrap the fixture's ground wire around the green ground screw (E). Use a screwdriver to secure ground screw (E) onto the mounting bracket. Tuck all wires neatly into the junction box.

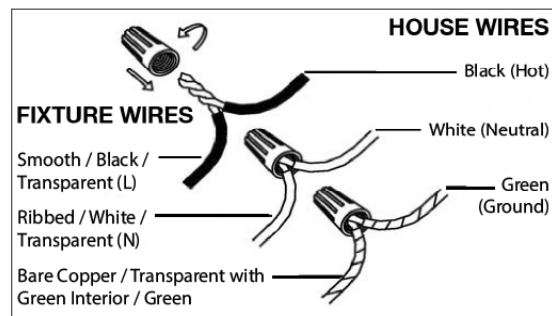
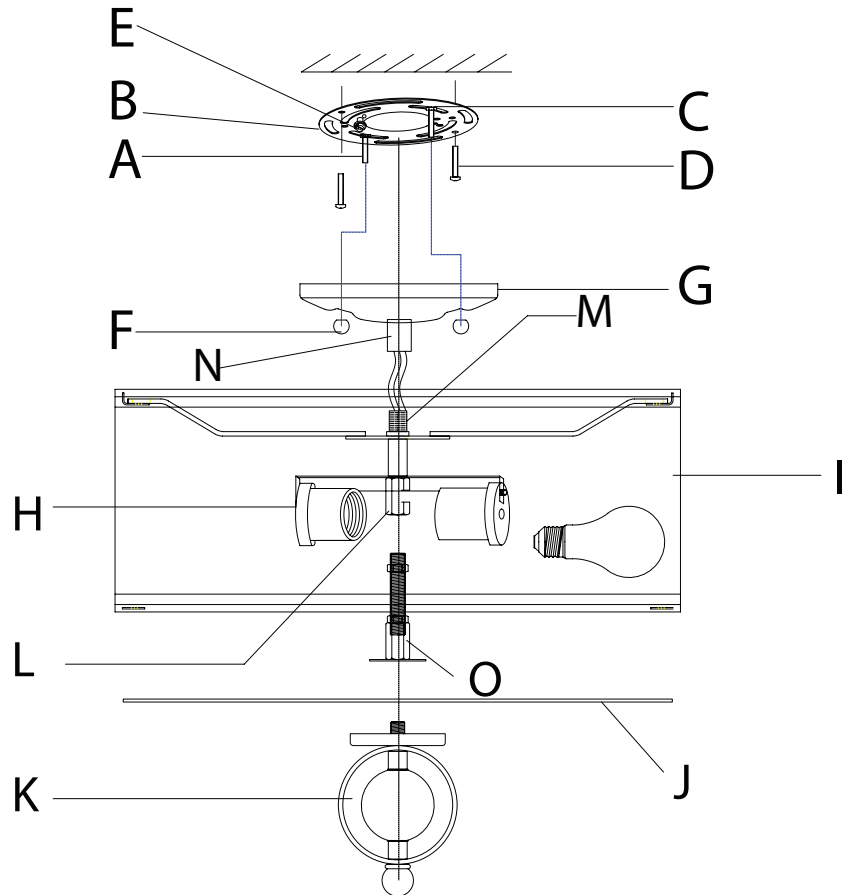
FINISHING THE INSTALLATION

Lift canopy (G) up to the ceiling and position the canopy so that mounting screws (A) protrude through the holes in the canopy. Tightly thread nuts (F) onto the exposed threads of mounting screws (A).

Install light bulbs (not provided) in accordance with the fixture's specifications. Do not exceed the maximum wattage.

Place shade (I) on top of diffuser (J) and carefully raise shade (I) and diffuser (J) up to finial connector (O). Have an assistant thread finial (K) into finial connector (O). Tighten until finial is secure.

Your installation is now complete. Turn on the power and test the fixture.



CLEANING TIPS

Treat the fixture gently! Regular cleaning will reduce the need for deep cleaning. For regular cleaning, turn off the light and wipe down the fixture with a clean lint-free cotton or microfiber cloth. Never spray cleaner directly onto the fixture.